



复旦微电子

FM4428

8KBits Memory Card Chip

Datasheet

Jun. 2015

INFORMATION IN THIS DOCUMENT IS INTENDED AS A REFERENCE TO ASSIST OUR CUSTOMERS IN THE SELECTION OF SHANGHAI FUDAN MICROELECTRONICS GROUP CO., LTD PRODUCT BEST SUITED TO THE CUSTOMER'S APPLICATION; THEY DO NOT CONVEY ANY LICENSE UNDER ANY INTELLECTUAL PROPERTY RIGHTS, OR ANY OTHER RIGHTS, BELONGING TO SHANGHAI FUDAN MICROELECTRONICS GROUP CO., LTD OR A THIRD PARTY.

WHEN USING THE INFORMATION CONTAINED IN THIS DOCUMENTS, PLEASE BE SURE TO EVALUATE ALL INFORMATION AS A TOTAL SYSTEM BEFORE MAKING A FINAL DECISION ON THE APPLICABILITY OF THE INFORMATION AND PRODUCTS.

PURCHASERS ARE SOLELY RESPONSIBLE FOR THE CHOICE, SELECTION AND USE OF THE SHANGHAI FUDAN MICROELECTRONICS GROUP CO., LTD PRODUCTS AND SERVICES DESCRIBED HEREIN, AND SHANGHAI FUDAN MICROELECTRONICS GROUP CO., LTD ASSUMES NO LIABILITY WHATSOEVER RELATING TO THE CHOICE, SELECTION OR USE OF THE SHANGHAI FUDAN MICROELECTRONICS GROUP CO., LTD PRODUCTS AND SERVICES DESCRIBED HEREIN. UNLESS EXPRESSLY APPROVED IN WRITING BY AN AUTHORIZED SHANGHAI FUDAN MICROELECTRONICS GROUP CO., LTD REPRESENTATIVE, SHANGHAI FUDAN MICROELECTRONICS GROUP CO., LTD PRODUCTS ARE NOT RECOMMENDED, AUTHORIZED OR WARRANTED FOR USE IN MILITARY, AIR CRAFT, SPACE, LIFE SAVING, OR LIFE SUSTAINING APPLICATIONS, NOR IN PRODUCTS OR SYSTEMS WHERE FAILURE OR MALFUNCTION MAY RESULT IN PERSONAL INJURY, DEATH, OR SEVERE PROPERTY OR ENVIRONMENTAL DAMAGE.

FUTURE ROUTINE REVISIONS WILL OCCUR WHEN APPROPRIATE, WITHOUT NOTICE. CONTACT SHANGHAI FUDAN MICROELECTRONICS GROUP CO., LTD SALES OFFICE TO OBTAIN THE LATEST SPECIFICATIONS AND BEFORE PLACING YOUR PRODUCT ORDER. PLEASE ALSO PAY ATTENTION TO INFORMATION PUBLISHED BY SHANGHAI FUDAN MICROELECTRONICS GROUP CO., LTD BY VARIOUS MEANS, INCLUDING SHANGHAI FUDAN MICROELECTRONICS GROUP CO., LTD HOME PAGE ([HTTP://WWW.FMSH.COM/](http://www.fms.com/)).

PLEASE CONTACT SHANGHAI FUDAN MICROELECTRONICS GROUP CO., LTD LOCAL SALES OFFICE FOR THE SPECIFICATION REGARDING THE INFORMATION IN THIS DOCUMENT OR SHANGHAI FUDAN MICROELECTRONICS GROUP CO., LTD PRODUCTS.

Trademarks

Shanghai Fudan Microelectronics Group Co., Ltd name and logo, the “复旦” logo are trademarks or registered trademarks of Shanghai Fudan Microelectronics Group Co., Ltd or its subsidiaries in China.

Shanghai Fudan Microelectronics Group Co., Ltd, Printed in the China, All Rights Reserved.

Product Overview

Description

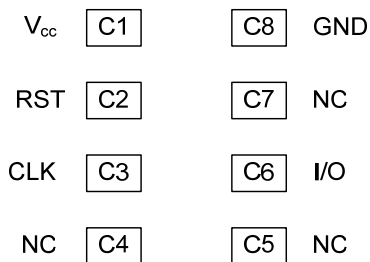
FM4428 is the memory card chip developed by Shanghai FM Co, Ltd.. FM4428 has 1K × 8Bit EEPROM with write protect function and programmable security code, its contact configuration is in accordance to ISO standard 7816 (Synchronous Transmission), FM4428 can be widely used in different types of IC memory cards.

Features

- ◆ 1024×8 bit EEPROM organization
- ◆ Byte-wise addressing
- ◆ Irreversible byte-wise write protection
- ◆ 1024×1 bit protection memory organization
- ◆ Serial three wire bus
- ◆ End of programming indicated on data output
- ◆ Minimum of 100,000 write/erase cycles
- ◆ Data retention for at least 10 years
- ◆ Contact configuration and serial interface in accordance to ISO standard 7816 (synchronous Transmission)
- ◆ Only after entry of the correct 2Byte programmable security code (PSC) data can be changed
- ◆ Compatible with SLE4428

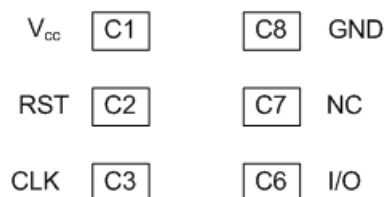
Pin Configurations

◆ 8 Pins Module



PIN	Symbol	Function
C1	V _{CC}	Operation voltage 5V
C2	RST	Reset control
C3	CLK	Clock
C4	N.C.	Not connected
C5	GND	Ground
C6	N.C.	Not connected
C7	I/O	Data line (pen drain)
C8	N.C.	Not connected

◆ 6 Pins Module



PIN	Symbol	Function
C1	V _{CC}	Operation voltage 5V
C2	RST	Reset control
C3	CLK	Clock
C4	N.C.	Not connected
C5	GND	Ground
C6	N.C.	Not connected

Block Diagram

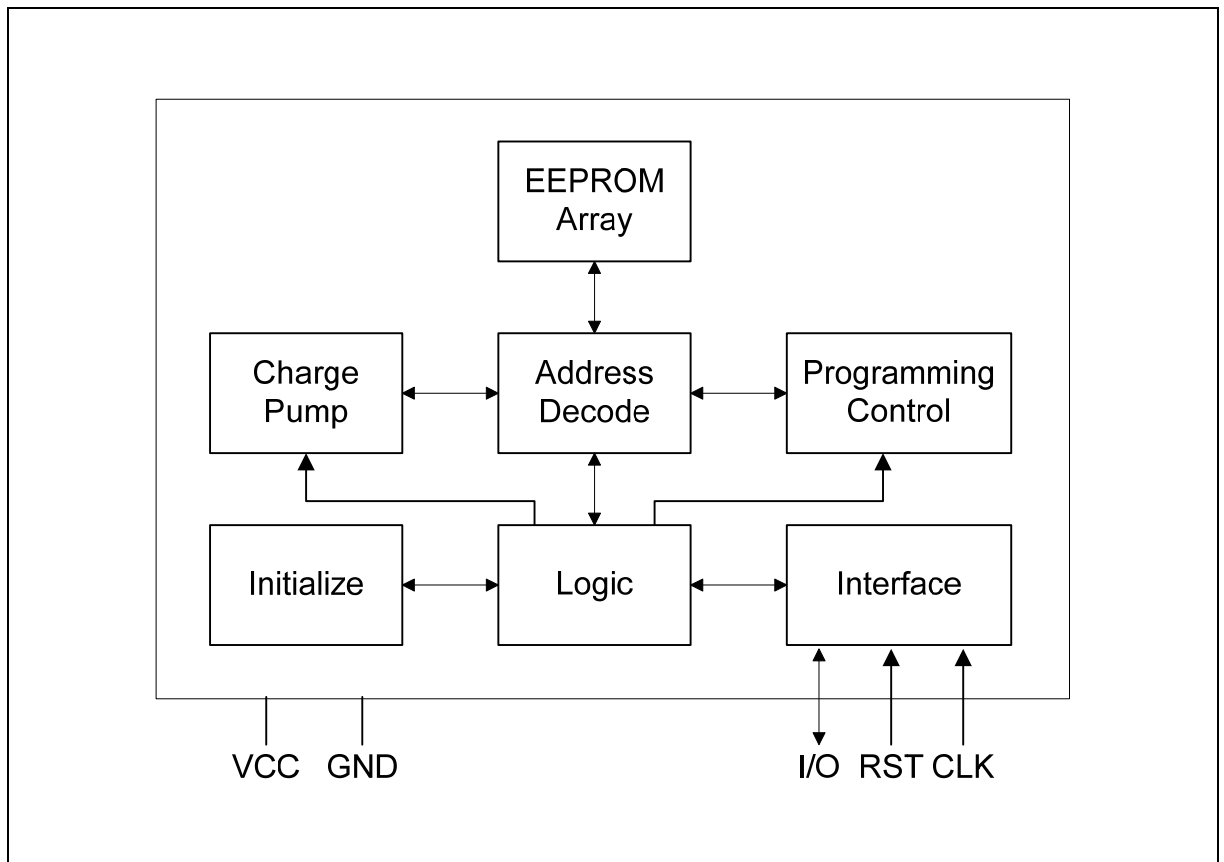


Figure 1-1 FM4428 Block Diagram

Function Description

Command Format

The chip receives input and gives output through I/O; the state of RST defines the data direction on I/O:

RST=1, I/O is for command entry

RST=0, I/O is for data output

Command takes the following format:

b1	B2	b3	b4	b5	b6	b7	b8	b1	B2	b3	b4	b5	b6	b7	b8	b1	b2	b3	b4	b5	b6	b7	b8
S0	S1	S2	S3	S4	S5	A8	A9	A0	A1	A2	A3	A4	A5	A6	A7	D0	D1	D2	D3	D4	D5	D6	D7

Command is 24bit in length, organized in 3 Byte:

S0~S5 in byte 1 is control word for the command. The remaining 2 bits in byte 1 and the whole byte 2 add up 10 bits, they are address bit A0~A9. The last byte is for data bits D0-D7, in commands carrying out reading operations, this byte is of no effect.

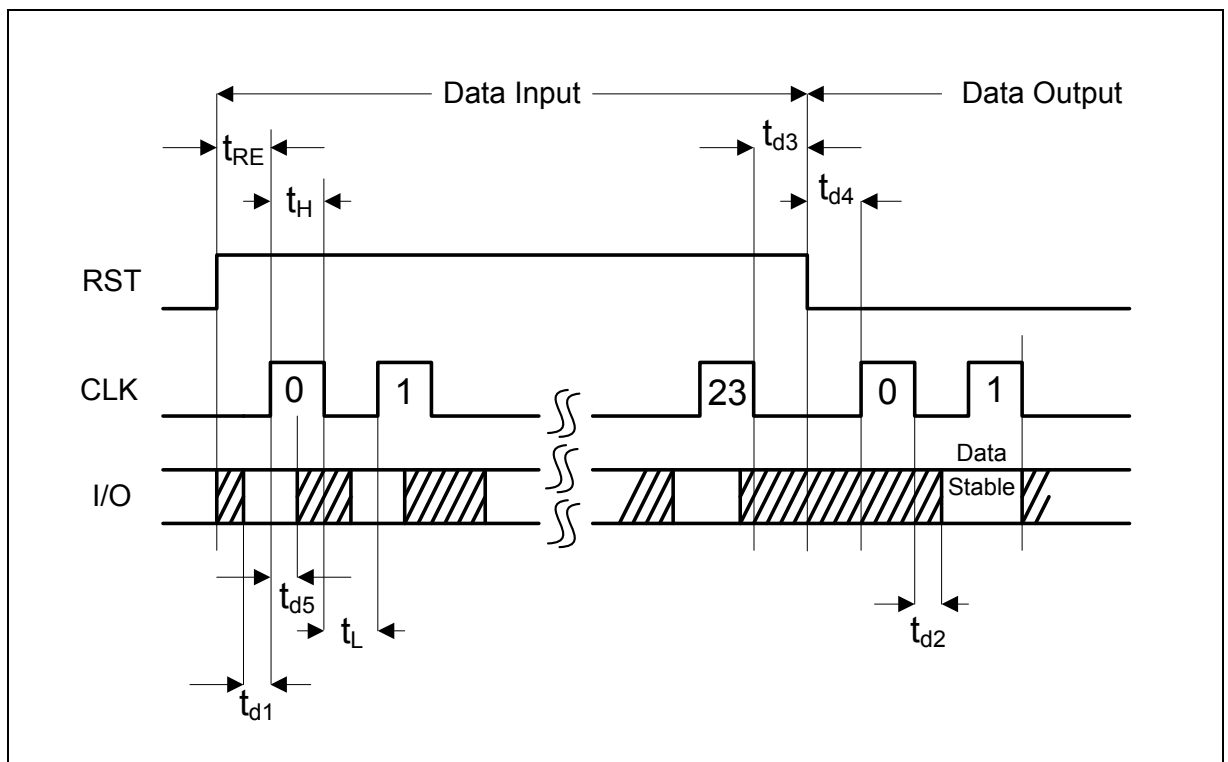


Figure 2-1 FM4428 General Timing Relationship

Command Introduction

(1) Erase/Write Data Byte with Protect Bit

s0	s1	s2	s3	s4	s5	A8 A9	A0—A7	D0—D7
1	0	0	0	1	1	Address bit 8 and 9	Address bit 0 and 7	Input data

The protect bit is enabled when data are written, memory area is set read only.

(2) Erase/Write Data Byte without Protect Bit

s0	s1	s2	s3	s4	s5	A8 A9	A0—A7	D0—D7
1	1	0	0	1	1	Address bit 8 and 9	Address bit 0 and 7	Input data

The protect bit is not enabled when data are written; memory area is still writable/erasable.

(3) Write Protect Bit with Date Comparison

s0	s1	s2	s3	s4	s5	A8 A9	A0—A7	D0—D7
0	0	0	0	1	1	Address bit 8 and 9	Address bit 0 and 7	Comparison data

When this command is carried out, the comparison data is compared with the contents in destination memory unit. If they are identical, then the corresponding protect bit is written as "0", otherwise, no change.

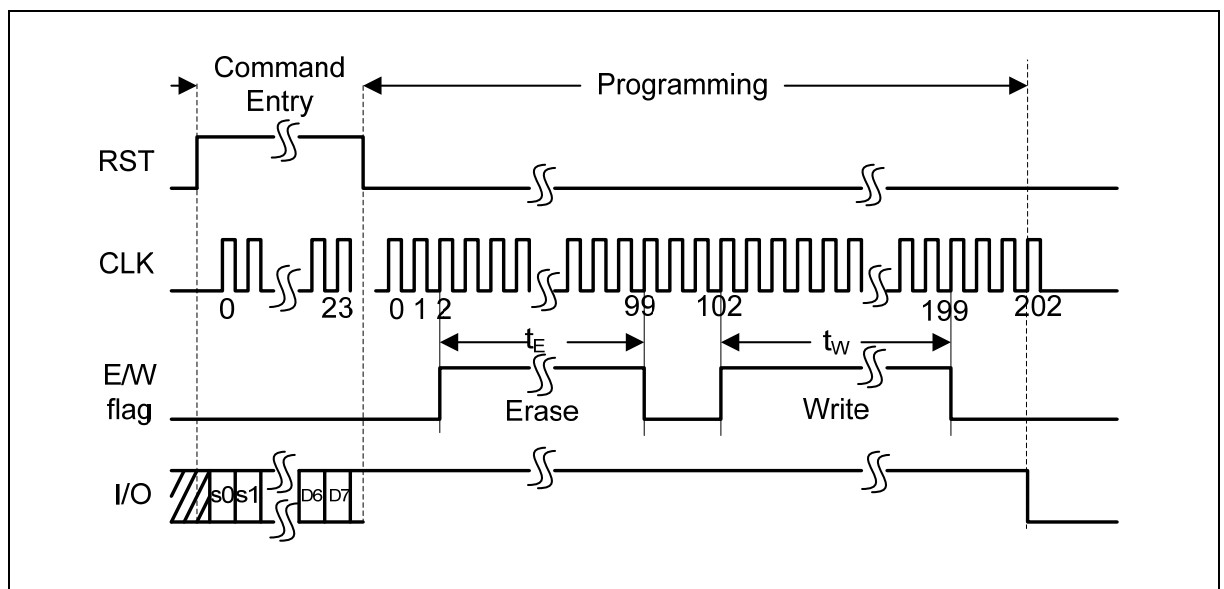


Figure 2-2 FM4428 Erase and Write

(If the operation is erase only, there is no WRITE part shown in the figure, hence lasting 102 CLK)

(4) Read Data Byte with Protect Bit

s0	s1	s2	s3	s4	s5	A8	A9	A0—A7	D0—D7
0	0	1	1	0	0	Address bit 8 and 9		Address bit 0 and 7	No effect

This command reads out 8 data bits in destination address and the corresponding protect bit, adding up to 9 bit.

(5) Read Data Byte without Protect Bit

s0	s1	s2	s3	s4	s5	A8	A9	A0—A7	D0—D7
0	1	1	1	0	0	Address bit 8 and 9		Address bit 0 and 7	No effect

This command reads out 8 data bits in destination address.

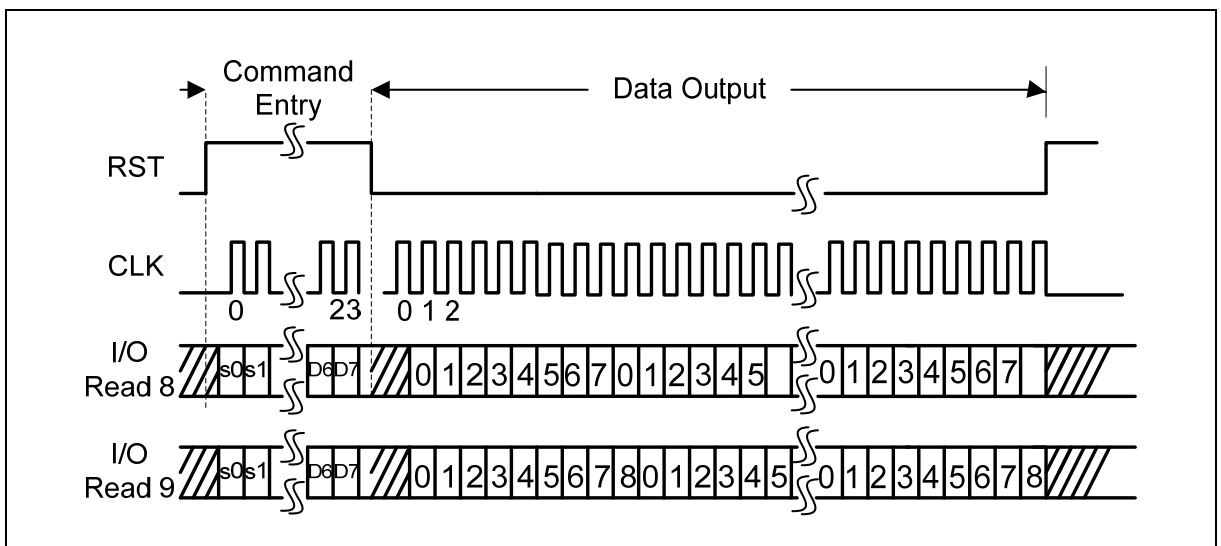


Figure 2-3 FM4428 Read Data Byte (with and without protect bit)

(6) Modify Error Counter

s0	s1	s2	s3	s4	s5	A8	A9	A0—A7	D0—D7
0	1	0	0	1	1	1	1	253	Bit mask

According to the entry mask word, change one bit "1" in the error counter to "0"

(7) Compare PSC Byte

s0	s1	s2	s3	s4	s5	A8	A9	A0—A7	D0—D7
1	0	1	1	0	0	1	1	254 / 255	PSC Byte 1/Byte 2

This command compares the entry PSC with contents stored in PSC memory area. After verification of comparison, erase operation can be carded out.

PSC Verification

The chip has a 2byte programmable security code (PSC). If failed to pass PSC verification, only reading is possible, while the contents of the PSC addresses cannot be read out. If failed to pass PSC verification, apart from writing to error counter bits, no other erase/write operation is allowed.

The verification procedure of the chip must be performed in the following steps:

- ◆ write one not written error-counter bit, address “1021”;
- ◆ enter first PSC-code byte, address “1022”;
- ◆ enter second PSC-code byte, address “1023”;
- ◆ after correct input the error counter can be erased;

Whether PSC verification is passed can be judged from I/O state:

- 1). On the rising side of the 3rd lock after entry of the erase error counter command, if I/O state changes from “1” to “0”, it means that PSC verification fails; error counter is unable to be erased.
- 2). On the rising side of the 103rd clock after entry of the erase error counter command, if I/O state changes from “1” to “0”, it means PSC verification passes, error counter has been written all “1”.

Entry of PSC must start with the least-significant PSC byte with the least significant bit, and then the most –significant one. If PSC verification passes, all the memory is enabled for erasing and writing as long as operating voltage is applied, except those whose protect bit is “0”. At this time, the error counter should be erased as all “1” in order to reactivate the next 8 attempts, The PSC may be altered as wished, if the corresponding protect bits are not effective.

Electrical Characteristics

Absolute Maximum Ratings

Symbol	Parameter	Limit Values			Unit
		Min	Typ	Max	
V_{CC}	Supply voltage	-0.3	-	6	V
V_i	Input voltage	-0.3	-	6	V
T_{sto}	Storage temperature	-25	-	+85	°C
P_{tot}	Power dissipation	-	-	60	mW

DC Characteristics

Symbol	Parameter	Limit Values			unit
		Min	Typ	Max	
V_{CC}	Supply voltage	2.5	5.0	5.5	V
I_{CC}	Supply current	-	3	10	mA
V_{ih}	H input voltage (I/O, CLK, RST)	$V_{CC} \times 0.7$	-	V_{CC}	V
V_{il}	L input voltage (I/O, CLK, RST)	0	-	$V_{CC} \times 0.3$	V
I_h	H input current (I/O, CLK, RST)	-	-	10	μA
I_{ol}	L input current (VI=0.4V, open drain)	0.5	-	-	mA
I_{oh}	H leakage current (VI= V_{CC} , open drain)	-	-	10	μA
C_i	Input capacitance	-	-	10	pF

AC Characteristics

Symbol	Parameter	Limit Values			unit
		Min	Typ	Max	
f_C	Clock Frequency	-	20	-	kHz
t_{RE}	Reset time	9	-	-	μs
T_{ARE}	Answer to Reset	20	50	-	μs
t_H	CLK (count, H level)	10	-	-	μs
t_L	CLK (count, L level)	10	-	-	μs
t_W	Write time	5	-	-	ms
t_E	Erase time	5	-	-	ms
t_{d1}	Setup time (D/CLK)	4	-	-	μs
t_{d3}	Setup time (CLK/RST)	4	-	-	μs
t_{d4}	Setup time (RST/CLK)	4	-	-	μs
t_{d5}	Hold time (D/CLK)	4	-	-	μs
t_{d2}	Delay time (CLK/D)	6	-	-	μs
t_R	Rise time (I/O, CLK, RST)	-	-	1	μs
t_F	Fall time (I/O, CLK, RST)	-	-	1	μs

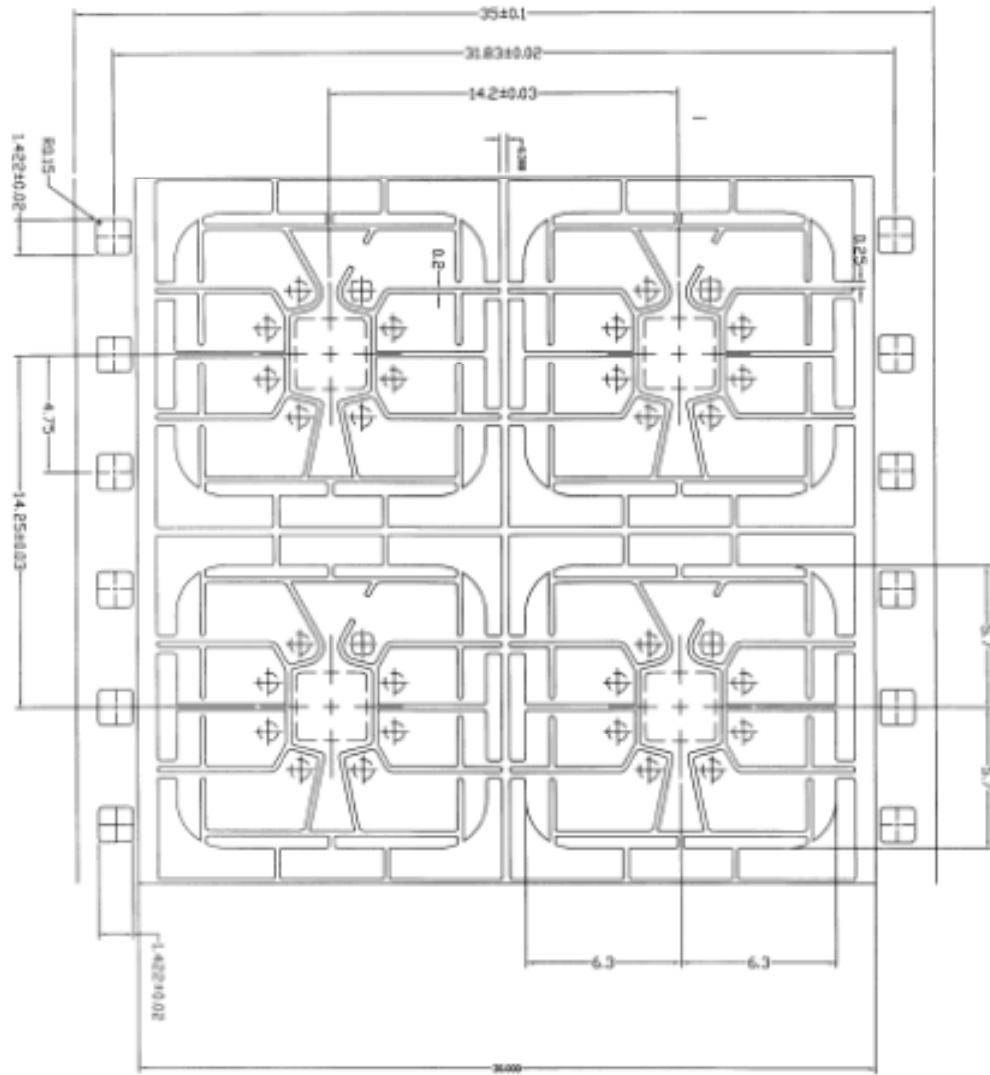


Ordering Information

Type Number	Package Name	Packing	Operating Temp Range
FM4428-9X12106	9X12106 (8Pins)	Tape and Reel	-25°C ~ +60°C
FM4428-P8	P8 (8Pins)	Tape and Reel	-25°C ~ +60°C
FM4428-P6-08N	P6-08N (6Pins)	Tape and Reel	-25°C ~ +60°C

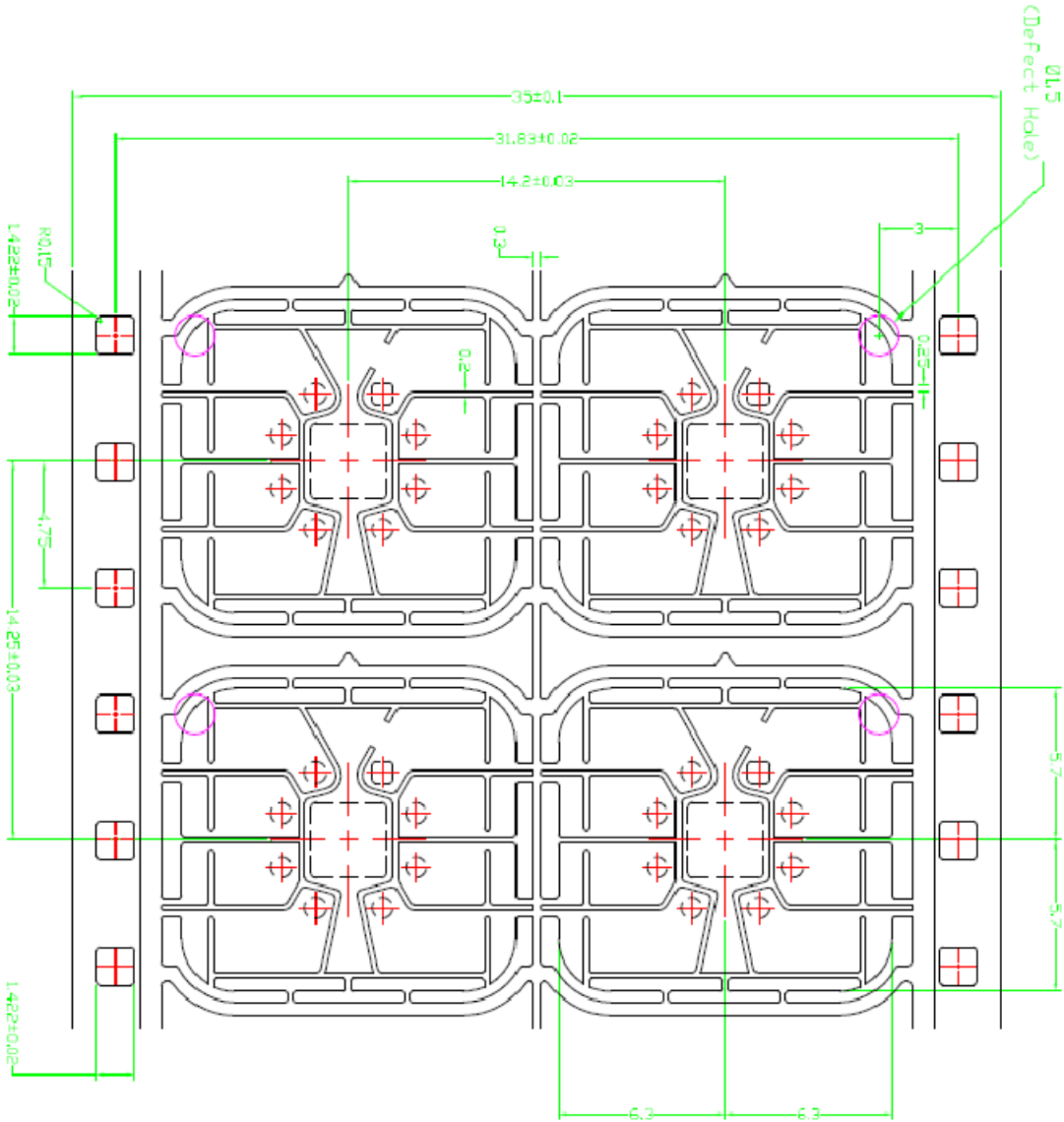
Package Information

8 Pins 9X12106 Module Package



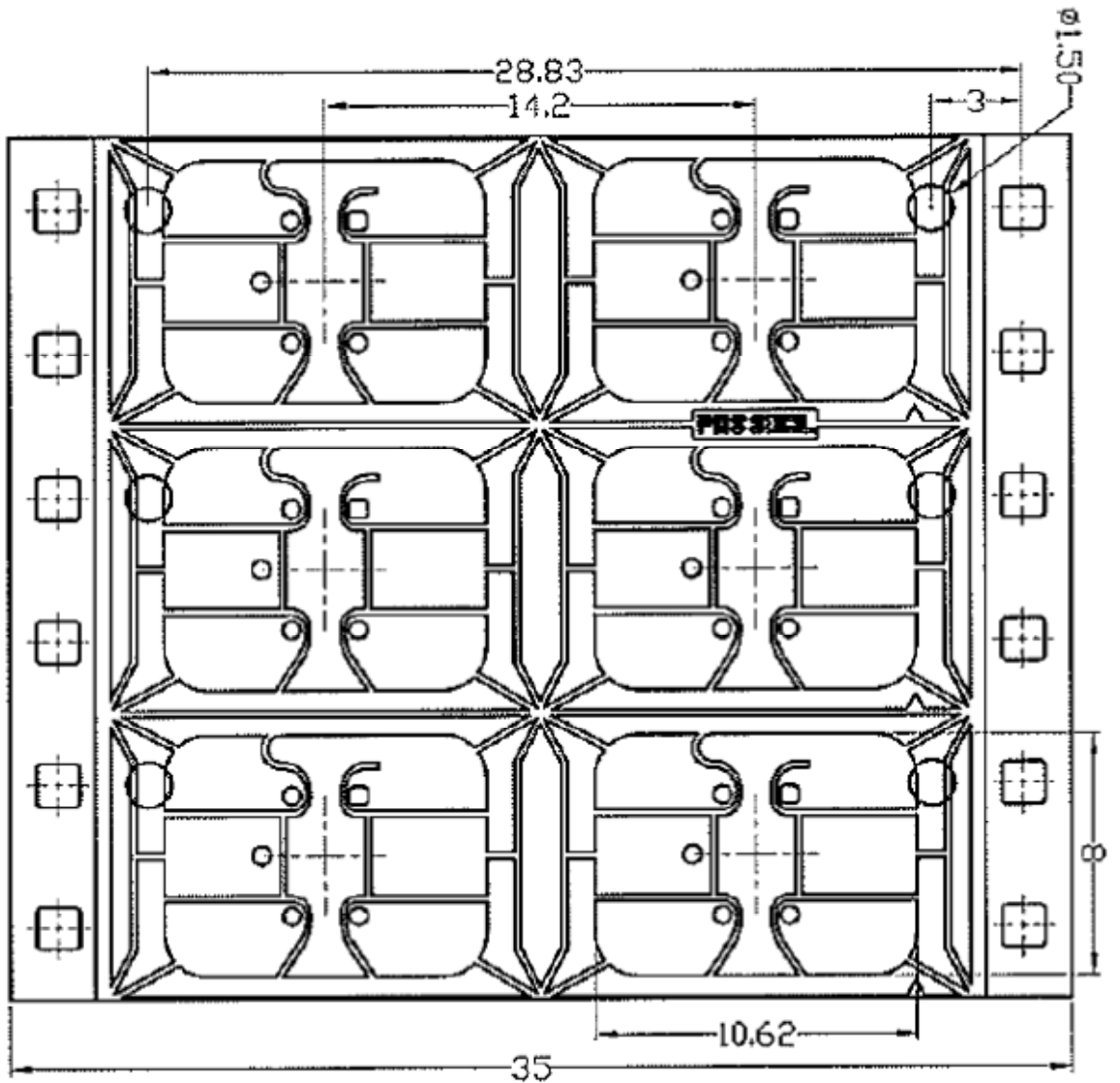
unit: mm

8 Pins P8 Module Package



unit: mm

6 Pins P6-08N Module Package



unit: mm



Revision History

Version	Publication date	Pages	Paragraph or Illustration	Revise Description
1.0	Jun. 2001	6		Initial Release
2.0	Oct. 2007	11		Updated Format
2.1	May. 2008	11	Sales and service	Updated the address of the HK office.
2.2	Jun. 2015	16		Updated the chapters of Electrical characteristics and Package information

Sales and Service

Shanghai Fudan Microelectronics Group Co., Ltd.

Address: Bldg No. 4, 127 Guotai Rd,
Shanghai City China.

Postcode: 200433

Tel: (86-021) 6565 5050

Fax: (86-021) 6565 9115

Shanghai Fudan Microelectronics (HK) Co., Ltd.

Address: Unit 506, 5/F., East Ocean Centre, 98 Granville Road, Tsimshatsui East, Kowloon, Hong Kong

Tel: (852) 2116 3288 2116 3338

Fax: (852) 2116 0882

Beijing Office

Address: Room 423, Bldg B, Gehua Building,
1 QingLong Hutong, Dongzhimen Alley north Street,
Dongcheng District, Beijing City, China.

Postcode: 100007

Tel: (86-010) 8418 6608

Fax: (86-010) 8418 6211

Shenzhen Office

Address: Room.1301, Century Bldg, No. 4002, Shengtingyuan Hotel, Huaqiang Rd (North),
Shenzhen City, China.

Postcode: 518028

Tel: (86-0755) 8335 0911 8335 1011 8335 2011 8335 0611

Fax: (86-0755) 8335 9011

Shanghai Fudan Microelectronics (HK) Ltd Taiwan Representative Office

Address: Unit 1225, 12F., No 252, Sec.1 Neihu Rd., Neihu Dist., Taipei City 114, Taiwan

Tel : (886-2) 7721 1889

Fax: (886-2) 7722 3888

Shanghai Fudan Microelectronics (HK) Ltd Singapore Representative Office

Address : 237, Alexandra Road, #07-01 The Alexcier, Singapore 159929

Tel : (65) 6472 3688

Fax: (65) 6472 3669

Shanghai Fudan Microelectronics Group Co., Ltd NA Office

Address :2490 W. Ray Road Suite#2

Chandler, AZ 85224 USA

Tel : (480) 857-6500 ext 18

Web Site: <http://www.fmsh.com/>